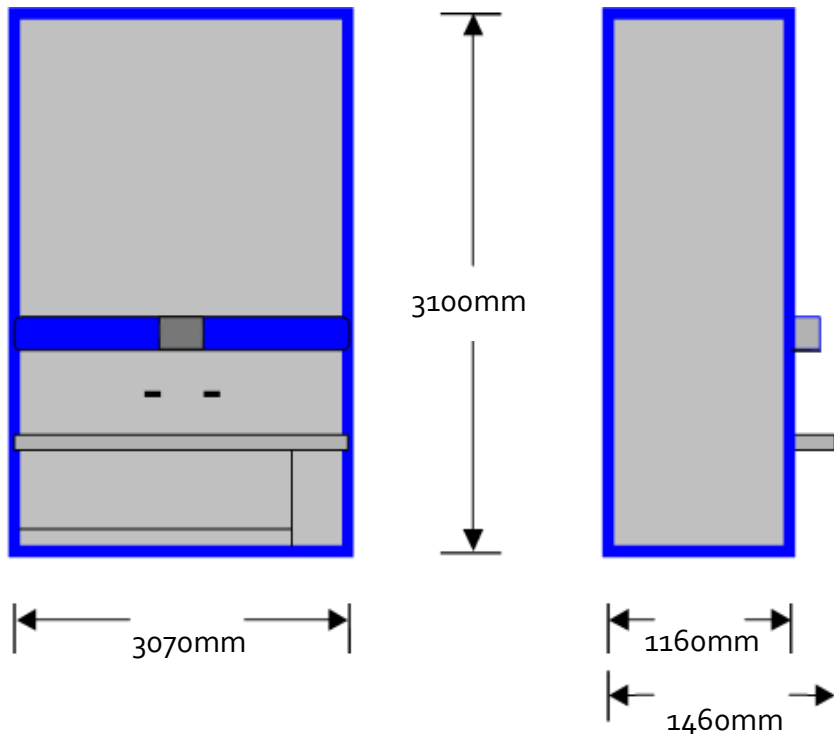


**1 off Second hand Kardex Lektriever Vertical Storage and Retrieval System
Model - SYS-120-15-12 – Finished Colour – Grey / Grey**



STORAGE CAPACITIES

Total linear metre storage capacity	38.1 lm
Total square metres storage capacity	15.24 m ²
Total cubic metre storage capacity	4.65 m ³

IDENTIFICATION LIGHTS

Section I.D. Lights (L.E.D. type article position F-B & L -R)	o off
Number of front-back positions I.D. Lights	o off

LOAD CAPACITIES

Maximum evenly distributed payload per single carrier	100 kg
Average payload per single carrier	100 kg
Total payload capacity of the machine	1,500 kg

CARRIER TYPES

Single tier carrier	15 off
Two tier carrier	0 off
Three tier carrier	0 off
Total number of carriers	15 off
Total number of storage levels	15 off

CARRIER DIMENSIONS

Height of carrier	304mm
Width of carrier	2540mm
Depth of carrier	400mm

HEIGHT OF STORAGE LEVELS

Single tier carrier	304mm
Two tier carrier	0mm
Three tier carrier	0mm

Control System

T₃ – Shelf Location

Supplied Accessories

None

Optional Accessories

Storage Containers

Dividers



Quotation

A full quotation including machine cost, software options, accessories and delivery is available on request. Please call + 44 (0) 116 277 0099 or email sales@linpic.com

All quotations supplied are based on:-

- 1) a clear and level site.
- 2) a 240 Volt electrical supply with earth and neutral rated at 13 amps connected into the **machine isolator**.
- 3) Suitable forklift Truck and scissor lift for sole use during the installation.

Machine Images

